



## *Buckeye TeleSystem*

Since its inception in 1994, Buckeye TeleSystem has operated as a facilities-based CLEC in Ohio and Michigan and is affiliated with Buckeye Cablesystem. Headquartered in Toledo, the Buckeye Companies have over 1700 route miles of fiber optic cable in their service area to meet the needs of both the cable and telephone operations. Buckeye TeleSystem offers a full array of solutions for voice, data, and video requirements, including local and long-distance telephone service, Internet and intranet access, and video conferencing.

### **BUSINESS ISSUE**

To meet the growing demand for broadband multimedia services, Buckeye TeleSystem determined to transform its infrastructure. Buckeye needed a network that could deliver converged voice and Ethernet data services to the Toledo Public School district, and also supply compelling triple-play services at competitive prices to surrounding residential and business customers.

Buckeye TeleSystem's requirement for an advanced, flexible network also had to be balanced by the need to save CAPEX and build on its previous investment in existing infrastructure.

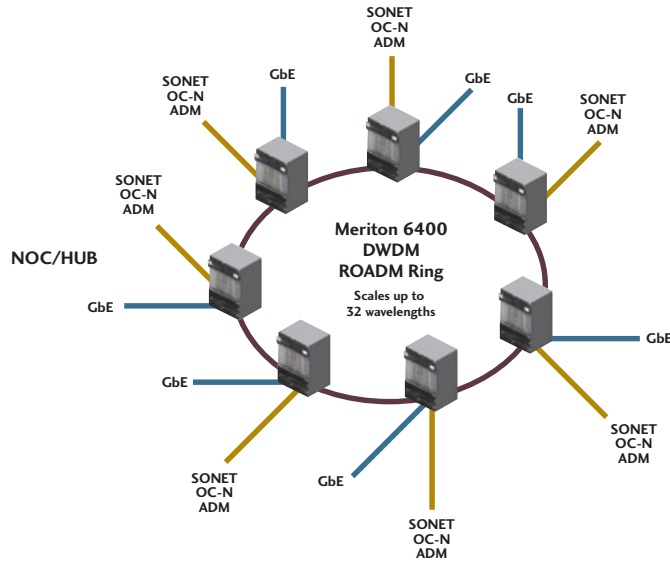
### **MERITON SOLUTION**

Buckeye TeleSystem deployed the Meriton 6400 OTP (Optical Transport Platform) to build a state-of-the-art multiservice infrastructure and fulfill its strategic business goals. At the same time, the Meriton solution helps Buckeye to maintain its reputation for agility, responsiveness and expertise in telecommunications.

Buckeye TeleSystem launched its triple play network in June 2006, with 60 administrative sites and schools linked throughout the greater Toledo area. The network delivers high-speed Internet access, TDM, and video conferencing services, enhancing the students' educational experience and improving the efficiency of the district's communications system.

Meriton's 6400 OTP network also supports the delivery of FTTH voice, video, and data services, allowing Buckeye TeleSystem to rapidly roll out new services according to customer demand.

### Sample Meriton Equipped Buckeye Network



#### BENEFITS

- Network efficiency — Meriton's ADM-on-a-Wavelength™ technology allows Buckeye TeleSystem to carry up to 9 full-rate Gigabit Ethernet (Gig E) services or 64 rate-limited Gig Es on a single 10 Gb/s wavelength
- Leverage existing infrastructure — The 6400 OTP allows Buckeye utilize its investment in existing equipment by supporting copper Gig E interfaces as well as optical interfaces
- Operational simplicity — Meriton's 9500 NPT provides Buckeye with a network planning tool that automates the design, planning, and analysis of its network
- Flexibility — With the Meriton 6400 OTP, Buckeye is able to provide service flexibility over a single infrastructure. Buckeye can add/drop any data service to any node and any wavelength in the optical network, greatly enhancing the speed and efficiency of its service delivery

#### TESTIMONIAL

“To be able to rapidly meet the ever-increasing demand for broadband multimedia services, we at Buckeye TeleSystem knew we had to transform our network to one that was flexible, scalable and inherently cost-effective,” said Doug Ward, director of network operations at Buckeye TeleSystem. “The Meriton solution allows us to elegantly make this transformation while enabling us to live up to our reputation as an agile, responsive, and expert telecommunications provider.”



www.meriton.com  
info@meriton.com

#### ABOUT MERITON NETWORKS INC.

Meriton Networks Inc. has developed the industry's first unified end-to-end Agile Optical Networking (AON) architecture, a crucial element for carrier and enterprise migration to next-generation IP services networks. A flexible, scalable, future proof infrastructure capable of multi-service, multi-topology support, the Meriton AON architecture equips telecommunications networks with the capabilities needed for the Broadband Revolution, including rapid service deployment with one-time node engineering and zero-touch, automated provisioning under a unified control plane. With metro access, metro core and regional extension products, all fully managed by a best-in-class suite of network planning and management tools, Meriton Networks gives network operators a single source for the rapid, cost-effective delivery of high-speed services.

<b>Corporate Headquarters</b> 3026 Solandt Road Ottawa, ON, Canada K2K 2A5 T: +1.613.270.9279 F: +1.613.270.9628 Toll Free: +1.866.270.2007	<b>United States</b> 20 Corporate Place S. Piscataway, NJ 08854 T: +1.732.465.1000 F: +1.732.465.1010	<b>Europe</b> Regus House 1 Friary Temple Quay Bristol, BS1 6EA UK T: +44.(0)117344.5028 F: +44.(0)117344.5208	<b>Asia Pacific</b> 3302, Lippo Centre Tower 2 89 Queensway Admiralty, Hong Kong SAR T: +852.2150.1328 F: +852.2150.1388	POSCO Center Building West Tower 11th Floor 892 Daechi 4-dong, Kangnam-gu Seoul 135-777 South Korea T: +82.2.559.0695 F: +82.2.559.0700	<b>Caribbean and Latin America</b> 6228 Indian Meadow S. Orlando, FL 32819 T: +1.407.924.5666 F: +1.613.270.9628
--	--	---	---	---	--

Meriton Networks, the Meriton Networks logo, MeritonCare, Out-of-the-box WDM, VersiColor, VersiNET, Mix and Match Optical Layer Protection, and ADM on a Wavelength are registered trademarks of Meriton Networks Inc. Other trademarks that may be used in this document are property of their respective owners.